

Automatic Multi-Function Dispenser



HKWANG

Automatic foam soap dispenser becomes a trend in public washrooms. The patented foam soap pump not only produces big, soft, cloudlike bubbles, but also houses innovative technology to keep the automatic foam soap dispenser free from leakage problems and leftover soap mess.



MULTI FUNCTION RANGE

Why HK-MSD?

Specs



hands-free



AC adapter available



800 ml soap bottle



battery life 145k uses



foam: one drop 0.7-1.0 ml



liquid: one drop 0.8-1.1 ml



disinfectant spray:
one drop 0.8-1.1 ml

Design



interchangeable pump



no leakage problem



security lock and key



auto-detecting sensor



auto-detecting sensor



LED indicator



quiet operation

Suitable for...



operating room



hospital



restaurant



shopping mall



postnatal care
center



playground

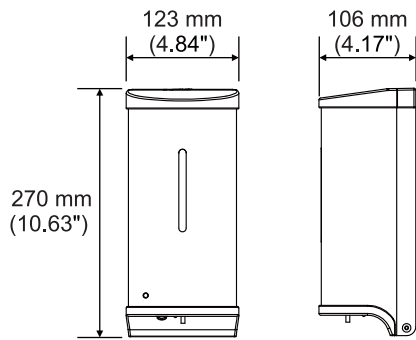


kindergarten



public toilet

Specification

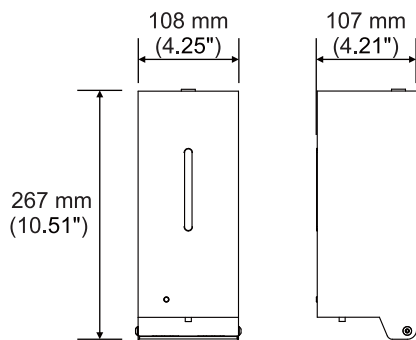


Model Name: HK-MSD11 / 21 / 31

Cover Material: Stainless Steel (#304) & ABS

Capacity: 800 ml

Battery Type: Alkaline AA type x 4 pcs

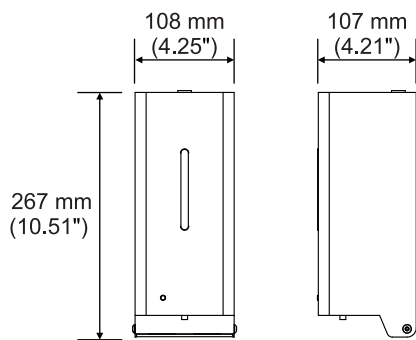


Model Name: HK-MSD12S / 22S / 32S

Cover Material: Stainless Steel (#304)

Capacity: 800 ml

Battery Type: Alkaline AA type x 4 pcs



Model Name: HK-MSD12R / 22R / 32R

Cover Material: Stainless Steel (#304)

Capacity: 800 ml

Battery Type: Alkaline AA type x 4 pcs



Interchangeable soap pump system



Liquid Soap: HK-MSD11 / 12S / 12R



Foam Soap: HK-MSD21 / 22S / 22R

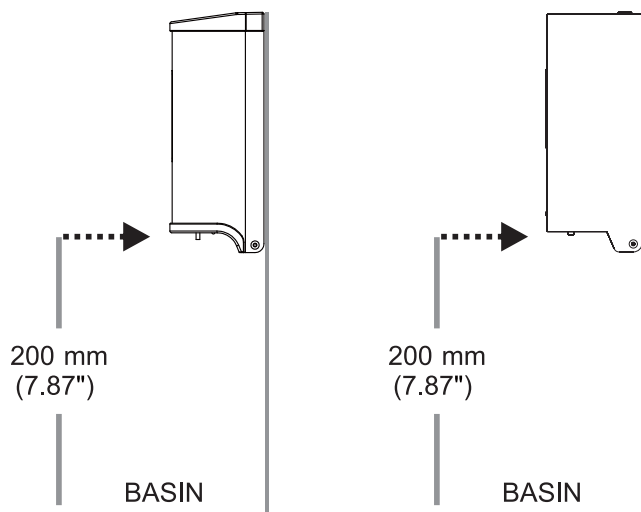


Disinfectant Spray: HK-MSD31 / 32S / 32R



Specification

Packaging (carton):	HK-MSD11 / 21 / 31 : 12 dispensers/carton. G.W. 15.2 kg. Meas. 2.4' HK-MSD12S / 22S / 32S : 12 dispensers/carton. G.W. 17.7 kg. Meas. 2.4' HK-MSD12R / 22R / 32R : 12 dispensers/carton. G.W. 17.7 kg. Meas. 2.4'
Battery Type:	Alkaline AA (1.5V) x 4 pcs
Battery Life:	Liquid type: 25k drops/cycles Foam type: 25k drops/cycles Disinfectant spray: 16k drops/cycles
Soap Pump Life:	200k cycles
Mechanism Life:	500k cycles
Light Indication:	Blue LED light flash four times for sensing range detection. Flashing blue light: low batteries
Safe Operation:	Power off automatically once casing is opened
Smart Design:	All key parts are independent for easy maintenance. Container assembly and mechanism of dispenser are 100% separation; mechanism is free from damage by soap.
Patented Soap Pump:	Prevent leakage problem Prevent leftover foam soap mess Suitable for liquid soap, liquid alcohol, alcohol gel, foam soap, sanitizer spray
Safety Approvals:	CE RoHS



Recommended Installation Height: 200 mm

