

Automatic Liquid Soap Dispenser



Our automatic liquid soap dispensers can be refillable to reduce waste, and they are energy saving. Also, the smart LED indicator will flash to indicate status such as low battery for the soap dispenser. Hokwang's automatic liquid soap dispensers is alcohol-resistant, so it is usable in the kitchen as a dish detergent dispenser or sanitizer dispenser to help everyone stay clean and stop the spread of germs.



LIQUID SOAP RANGE

Why Hokwang's Auto Liquid Soap Dispenser?

Specs



hands-free



AC adapter available



800/950 ml soap bottle



battery life 145k uses



one drop 1 ml

Design



security lock and key



refillable soap bottle



auto-detecting sensor



LED indicator



audio available (optional)

Suitable for...



operating room



hospital



restaurant



shopping mall



postnatal care center



playground

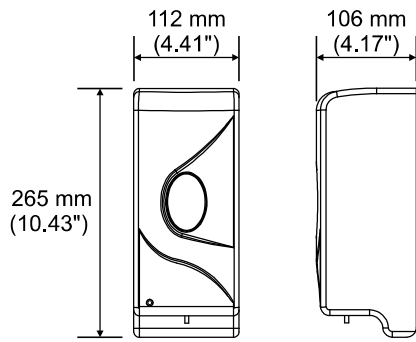


kindergarten



public toilet

Specification

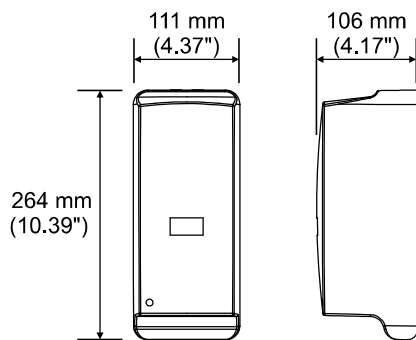


Model Name: HK-950DA

Cover Material: ABS

Capacity: 950 ml

Battery Type: Alkaline C type x 3 pcs

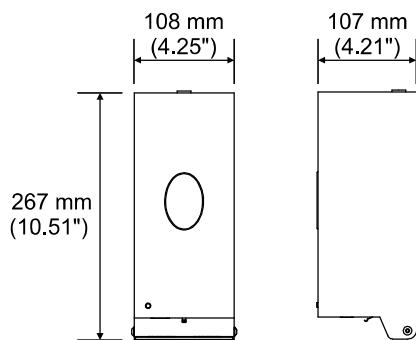


Model Name: HK-800DA

Cover Material: ABS

Capacity: 950 ml

Battery Type: Alkaline C type x 3 pcs

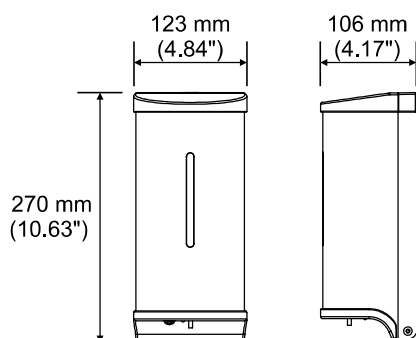


Model Name: HK-950SA

Cover Material: Stainless Steel (#304)

Capacity: 800 ml

Battery Type: Alkaline C type x 3 pcs



Model Name: HK-RSD

Cover Material: Stainless Steel (#304) & ABS

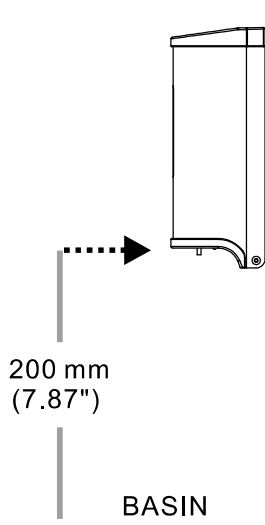
Capacity: 800 ml

Battery Type: Alkaline AA type x 4 pcs

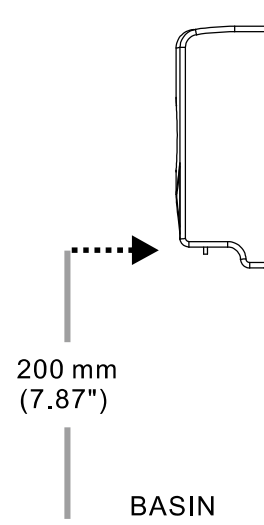


Specification

Packaging (carton):	HK-950DA: 12 dispensers/carton. G.W. 12.0 kg. Meas. 2.4' HK-800DA: 12 dispensers/carton. G.W. 12.0 kg. Meas. 2.4' HK-950SA: 12 dispensers/carton. G.W. 17.6 kg. Meas. 2.4' HK-RSD: 12 dispensers/carton. G.W. 15.2 kg. Meas. 2.4'
Battery Life:	HK-950DA: 145k drops/cycles or one year HK-800DA: 145k drops/cycles or one year HK-950SA: 145k drops/cycles or one year HK-RSD: 40k drops/cycles or one year
Soap Tube Life:	200k cycles
Mechanism Life:	500k cycles
Light Indication:	Blue LED light flash four times for sensing range detection. Flashing blue light: low batteries
Safe Operation:	Power off automatically once casing is opened
Smart Design:	All key parts are independent for easy maintenance. Container assembly and mechanism of dispenser are 100% separation; mechanism is free from damage by soap.
Patented Soap Pump:	Liquid soap, liquid alcohol, alcohol gel, sterilized iodine and detergents
Safety Approvals:	CE RoHS



Recommended Installation Height: 200 mm



Recommended Installation Height: 200 mm

