

Automatic Liquid Soap Dispenser



Our automatic liquid soap dispensers can be refillable to reduce waste, and they are energy saving. Also, the smart LED indicator will flash to indicate status such as low battery for the soap dispenser. Hokwang's automatic liquid soap dispensers is alcohol-resistant, so it is usable in the kitchen as a dish detergent dispenser or sanitizer dispenser to help everyone stay clean and stop the spread of germs.



LIQUID SOAP RANGE

Why Hokwang's Auto Liquid Soap Dispenser?

Specs



hands- free



AC adapter available



800/950 ml soap bottle



battery life 145k uses



one drop 1 ml

Design



security lock and key



refillable soap bottle



auto-detecting sensor



LED indicator



quiet operation

Suitable for...



operating room



hospital



restaurant



shopping mall



postnatal care center



playground

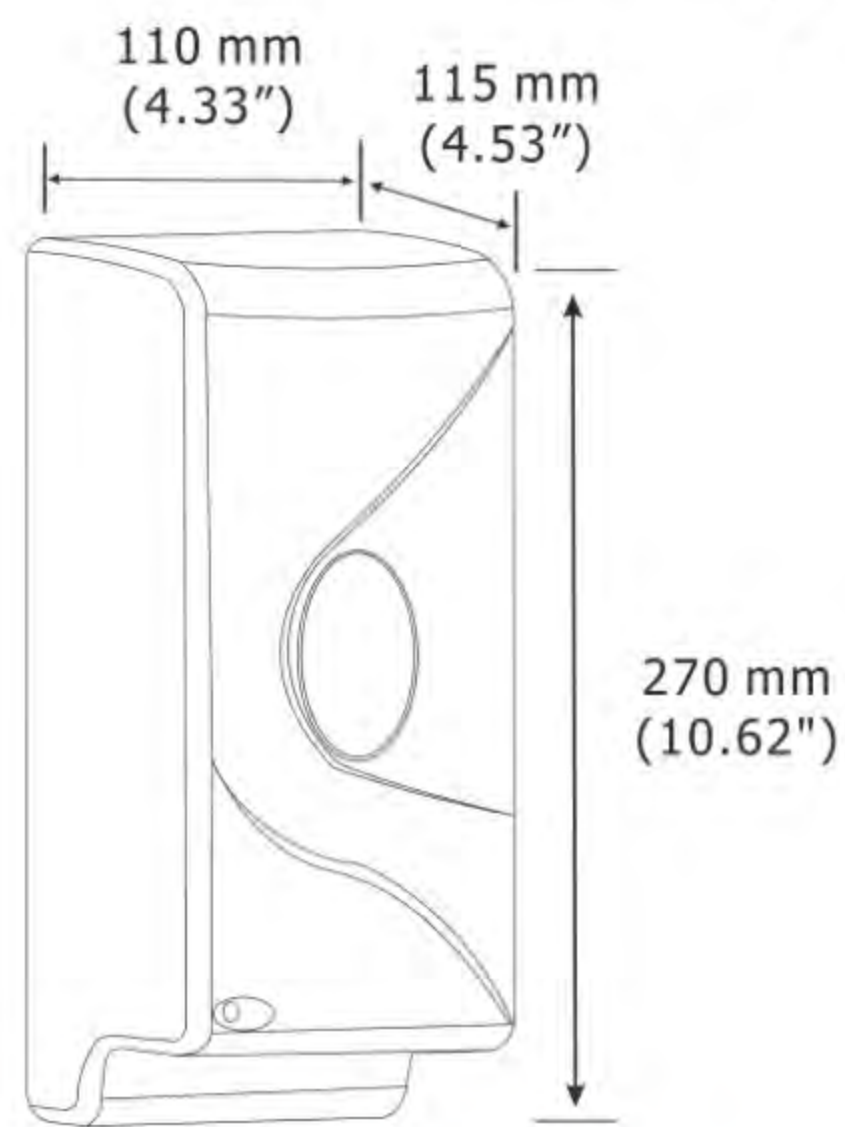


kindergarten

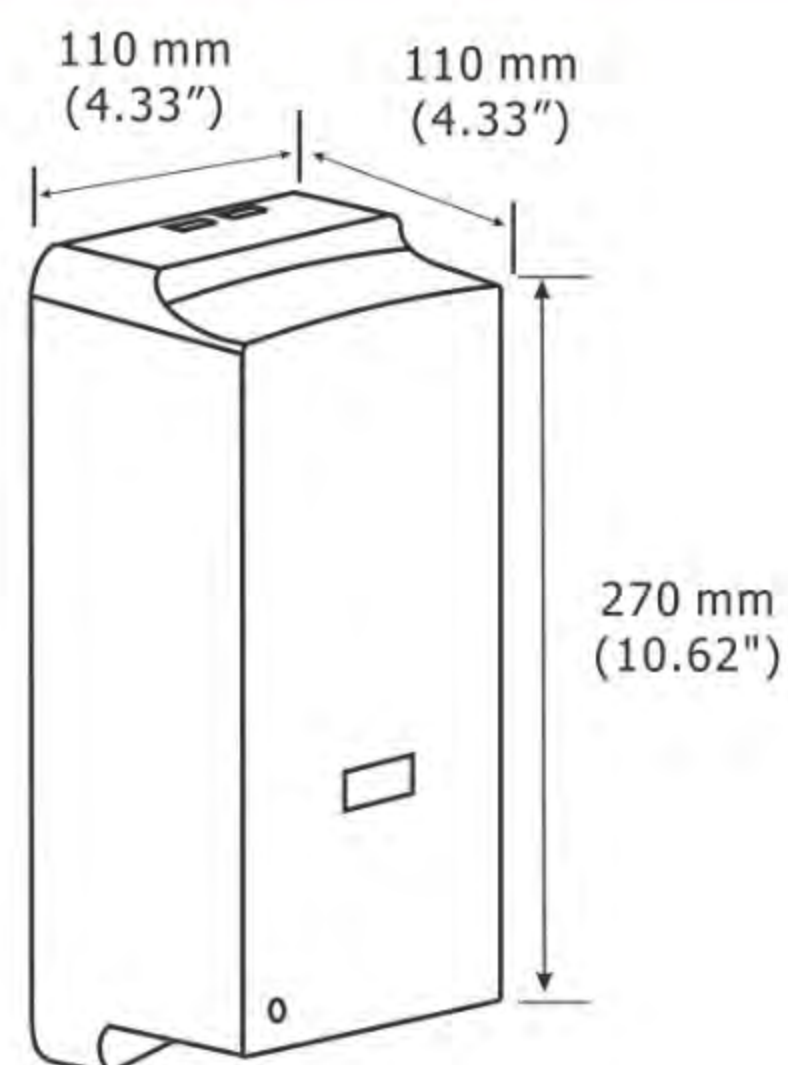


public area

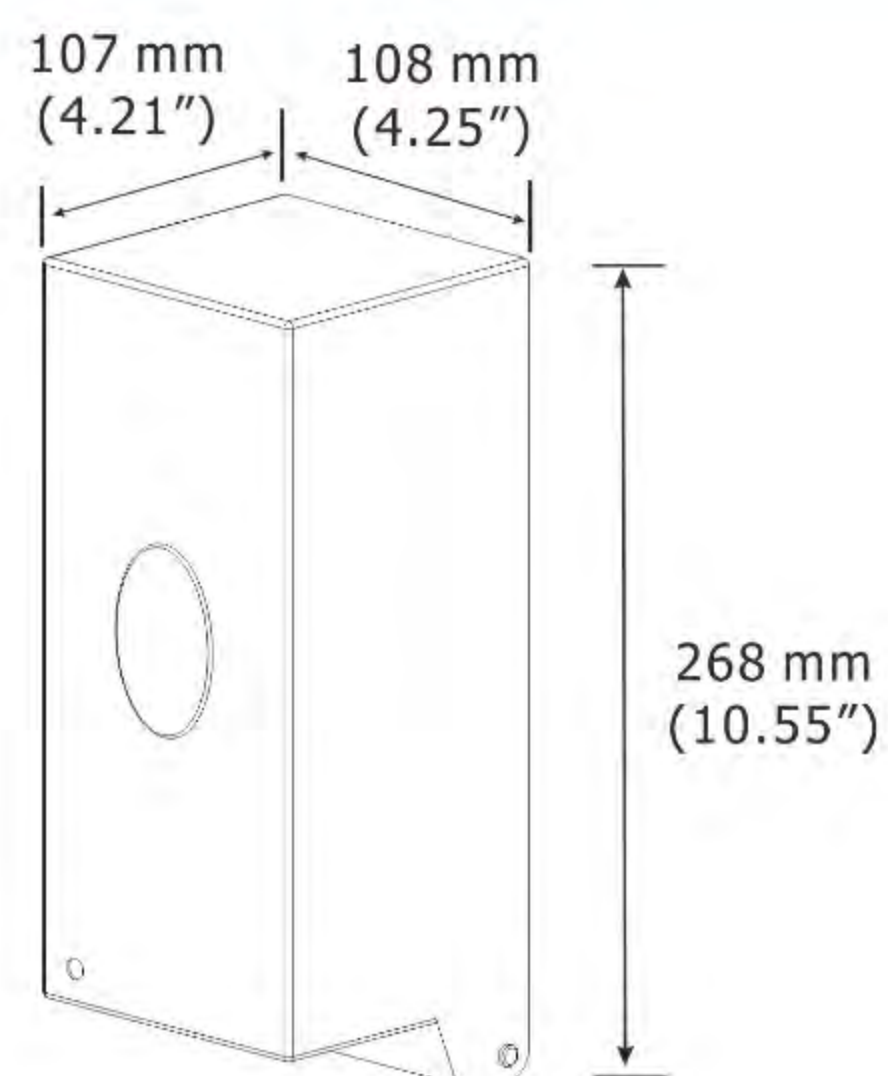
Specification



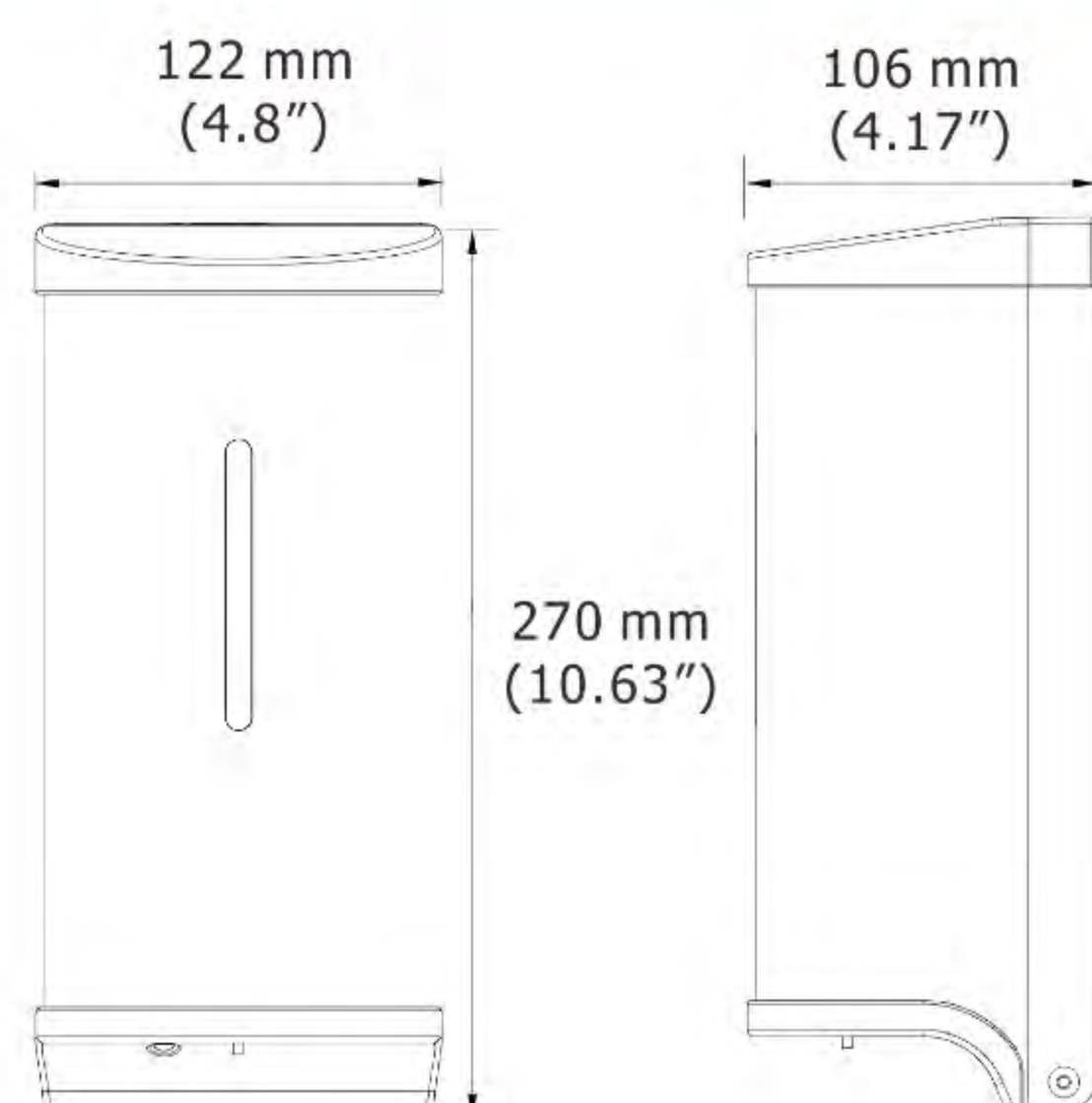
Model Name	HK-950DA
Cover Material	ABS
Capacity	950 ml
Battery Type	C type x 3



Model Name	HK-800DA
Cover Material	ABS
Capacity	950 ml
Battery Type	C type x 3



Model Name	HK-950SA
Cover Material	Stainless Steel (#304)
Capacity	800 ml
Battery Type	C type x 3



Model Name	HK-RSD
Cover Material	Stainless Steel (#304) & ABS
Capacity	800 ml
Battery Type	AA type x 4

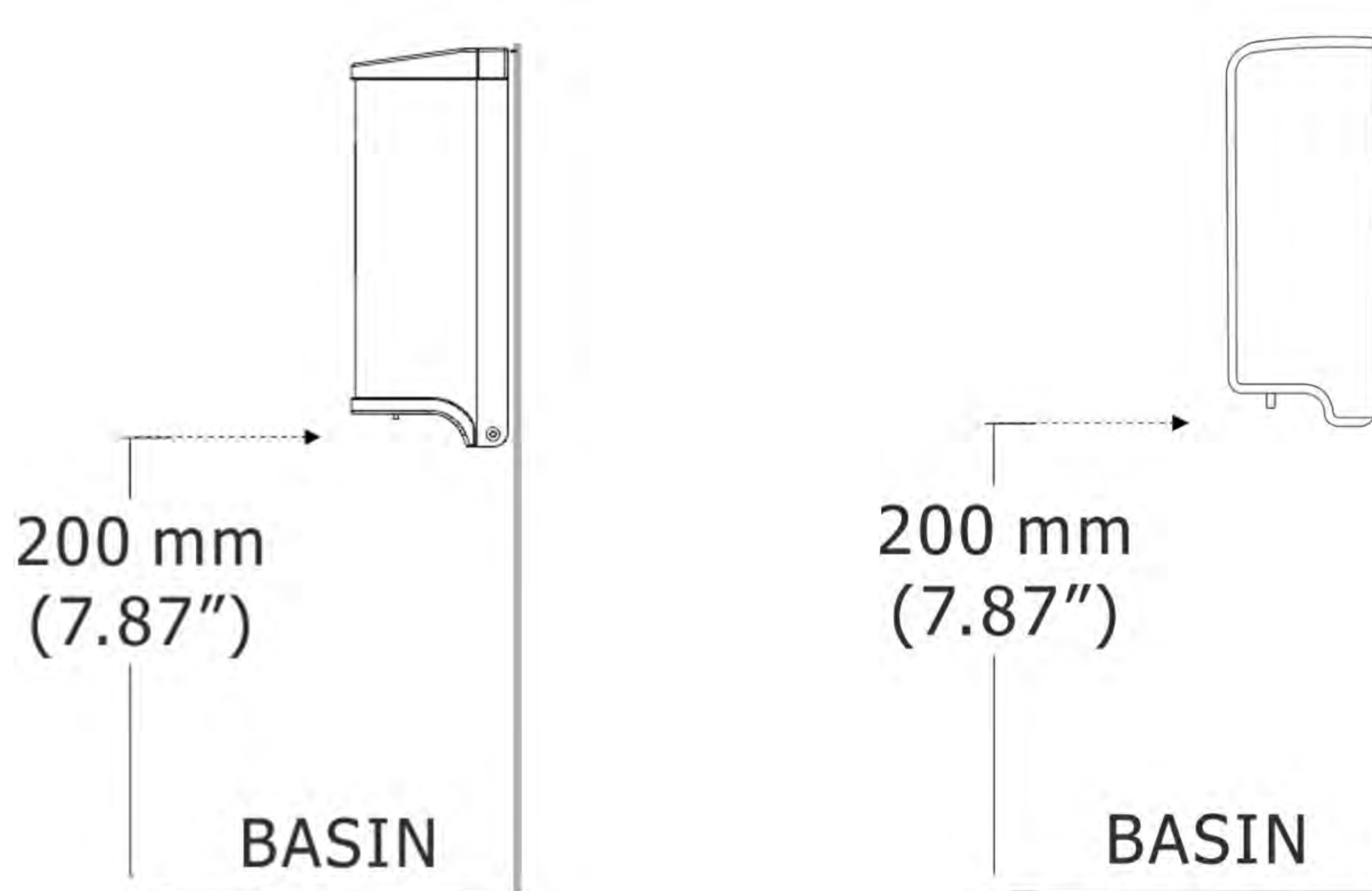


Specification

Packaging (carton)	HK-950DA/HK-800DA: 12 dispensers/carton. Gross weight 12kg. Measurement 2.4' HK-950SA: 12 dispensers/carton. Gross weight 19kg. Measurement 2.4' HK-RSD: 12 dispensers/carton. Gross weight 15.2kg. Measurement 2.4'
Battery Life	145k (RSD 40k) drops/cycles or one year
Soap Tube Life	200k cycles
Mechanism Life	500k cycles
Light Indication	Solid blue light: standby for dispensing Flashing blue light: low batteries
Safe Operation	Power off automatically once casing is opened.
Smart Design	All key parts are independent for easy maintenance. Container assembly and mechanism of dispenser are 100% separation; mechanism is free from damage by soap.
Multiple Soap Type	Liquid soap, liquid alcohol, alcohol gel, sterilized iodine and detergents

Safety Approvals

 **CB RoHS WEEE**



Recommended Installation Height: 200 mm

