

INNOWASH

Hand Wash Station



01 Soap Dispenser

- Hands free
- Foam and liquid available
- High quality sensor
- Long life cycle
- Stainless steel #304

02 Faucet

- Hands free
- Stainless steel #304
- Auto detecting sensing range

03 Hand Dryer

- Hands free
- Intelligent temperature control technology
- Energy-saving
- IP35
- Carbon filter assembly



Soap Dispenser

Technical Specification

Material	Stainless Steel #304
Power Source	AC (6V)
Standby Power	0.14W
Sensing Range	120 ± 20 mm auto detecting, adjustable
Soap Volume	1-1.2 ml (liquid), 0.6-0.8 (foam)
Soap Pump Life Cycle	100k
Mechanism Life Cycle	500k
Soap Bottle	1,500 ml or 3,000ml
Drip Proof	IP35
Safety Approval	CE

Faucet

Technical Specification

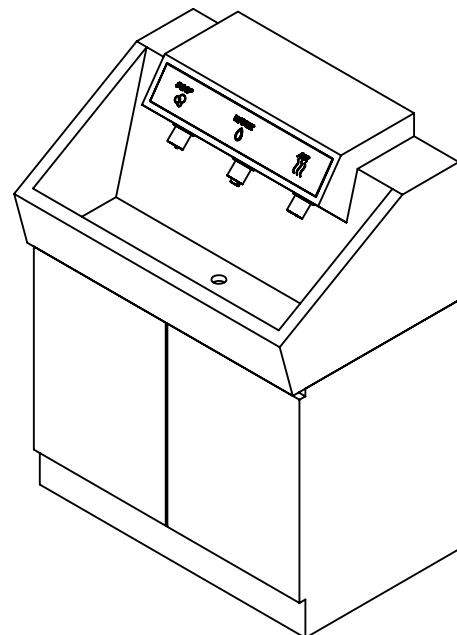
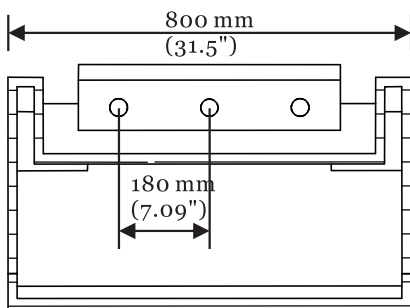
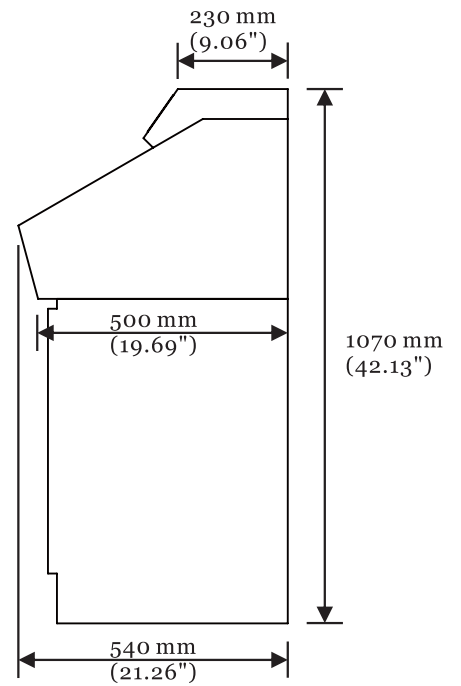
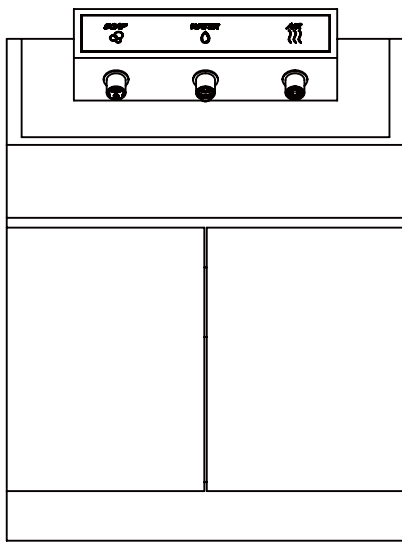
Material	Stainless Steel #304
Power Source	AC (6V)
Standby Power	Less than 0.1W
Sensing Range	120 ± 20 mm auto detecting, adjustable
Applicable Water Temperature	4-60 °C
Operating Water Pressure	7-87 PSI
Delay Time	0.5-1 second
Timing Protection	60 seconds auto shut off
Flowing Volume	Less than 3.8 l/min
Drip Proof	IP35
Safety Approval	CE

Hand Dryer

Technical Specification

Material	Stainless Steel #304
Power Source	110-120Vac, 50/60 Hz, 0.84-1.0kW 220-240Vac, 50/60 Hz, 0.84-1.0kW
Standby Power	0.3-0.4W
Sensing Range	130 ± 20 mm auto detecting, adjustable
Motor Type	500 W, 22,000-29,000 R.P.M.
Warm Air Speed Output	77.3-96 m/s [172.9-215 mi/h]
Dryer Shall Deliver	57 m ³ /h, (34 CFM)
Sound Level	MIN 65.4 to 69.6 dB MAX @ 1m
Drying Time	Less than 10-15 seconds
Timing Protection	60 seconds auto shut off
Drip proof	IP35
Isolation	Class 1
Safety Approval	UL, CE, GS, CB, BSMI, EMC, LVD, WEEE, RoHS

Engineered Stone Washbasin with Laminate Cabinet



Stainless Steel Washbasin and Cabinet

