

# INNOWASH

## Hand Wash Station



### 01 Soap Dispenser

- Hands free
- Foam and liquid available
- High quality sensor
- Long life cycle
- Stainless steel #304

### 02 Faucet

- Hands free
- Stainless steel #304
- Auto detecting sensing range

### 03 Hand Dryer

- Hands free
- Intelligent temperature control technology
- Energy-saving
- IP35
- Carbon filter assembly



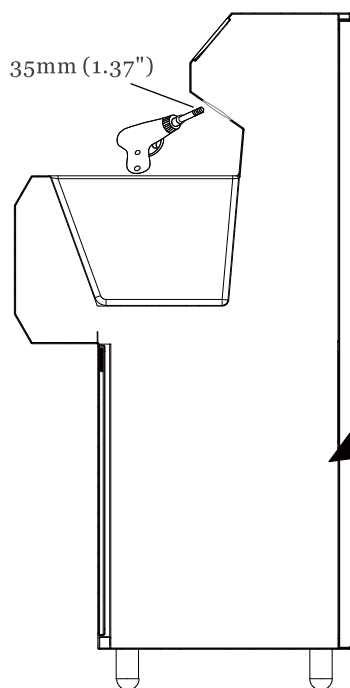
# Soap Dispenser

## Technical Specification

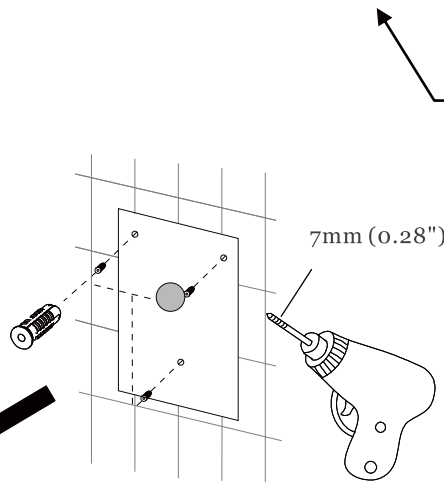
|                      |  |
|----------------------|--|
| Material             | Stainless Steel #304                         |
| Power Source         | AC (6V)                                      |
| Standby Power        | 0.14W  |
| Sensing Range        | 120 ± 20 mm auto detecting, adjustable       |
| Soap Volume          | 1-1.2 ml (liquid), 0.6-0.8 (foam)            |
| Soap Pump Life Cycle | 100k   |
| Mechanism Life Cycle | 500k   |
| Soap Bottle          | 1,500 ml                                     |
| Drip Proof           | IP35   |
| Safety Approval      | CE   |
| Packaging            | 6 dispensers/carton. G.W. 13.0kg. Meas. 4.6' |

## Example Installation

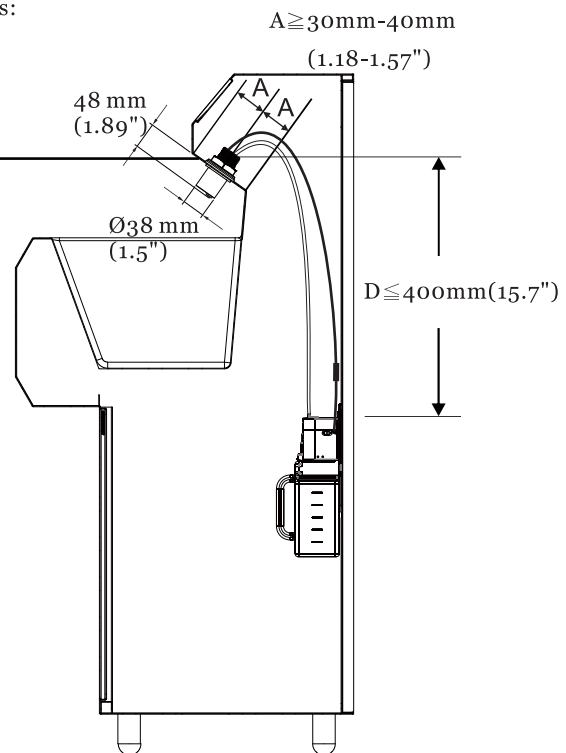
One hole for spout



Recommended deck thickness:  
10-30mm (0.39-1.18")



Three holes for back plate



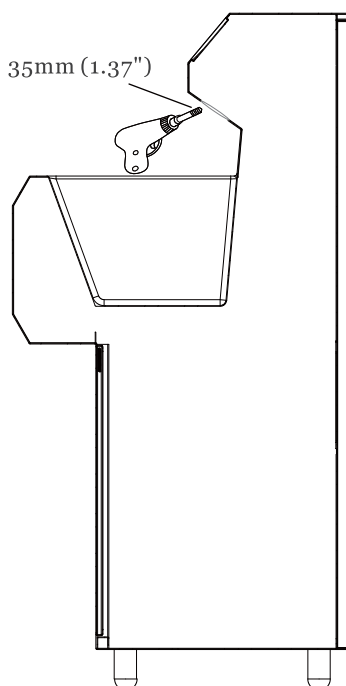
# Faucet

## Technical Specification

|                              |  |
|------------------------------|--|
| Material                     | Stainless Steel #304                       |
| Power Source                 | AC (6V)                                    |
| Standby Power                | Less than 0.1W                             |
| Sensing Range                | 120 ± 20 mm auto detecting, adjustable     |
| Applicable Water Temperature | 4-60 °C                                    |
| Operating Water Pressure     | 7~87 PSI                                   |
| Delay Time                   | 0.5-1 second                               |
| Timing Protection            | 60 seconds auto shut off                   |
| Flowing Volume               | Less than 3.8 l/min                        |
| Drip Proof                   | IP35                                       |
| Safety Approval              | CE   |
| Packaging                    | 10 faucets/carton. G.W. 12.0kg. Meas. 2.1' |

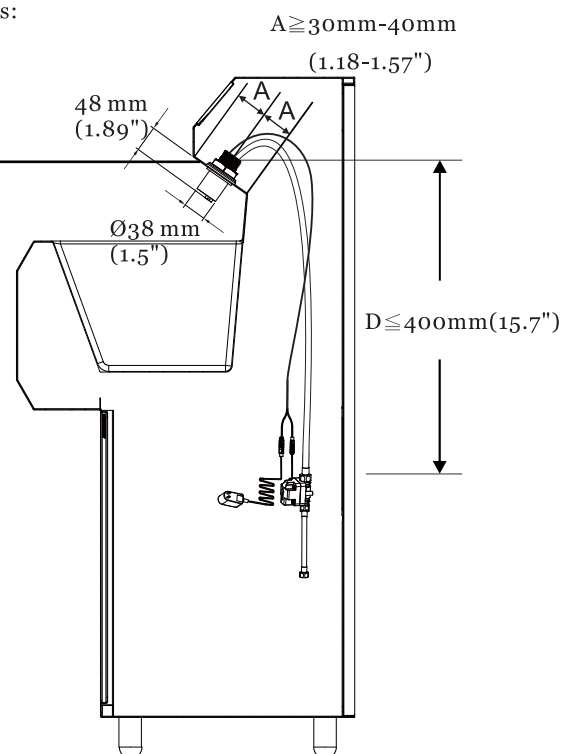
## Example Installation

### One hole for spout



Recommended deck thickness:

10-30mm (0.39-1.18")



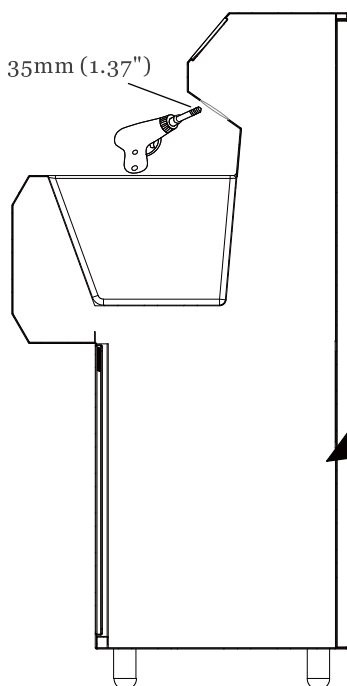
# Hand Dryer

## Technical Specification

|                       |  |
|-----------------------|--|
| Material              | Stainless Steel #304   |
| Power Source          | 110-120Vac, 50/60 Hz, 0.84-1.0kW<br>220-240Vac, 50/60 Hz, 0.84-1.0kW |
| Standby Power         | 0.3-0.4W   |
| Sensing Range         | 130 ± 20 mm auto detecting, adjustable                               |
| Motor Type            | 500 W, 22,000-29,000 R.P.M.  |
| Warm Air Speed Output | 77.3-96 m/s [172.9-215 mi/h]   |
| Dryer Shall Deliver   | 57 m <sup>3</sup> /h, (34 CFM)                                       |
| Sound Level           | MIN 65.4 to 69.6 dB MAX @ 1m   |
| Drying Time           | Less than 10-15 seconds  |
| Timing Protection     | 60 seconds auto shut off   |
| Drip proof            | IP35   |
| Isolation             | Class 1  |
| Safety Approval       | UL, CE, GS, CB, BSMI, EMC, LVD, WEEE, RoHS                           |
| Packaging             | 1 dryer/carton. G.W. 7.2kg. Meas. 1.7'                               |

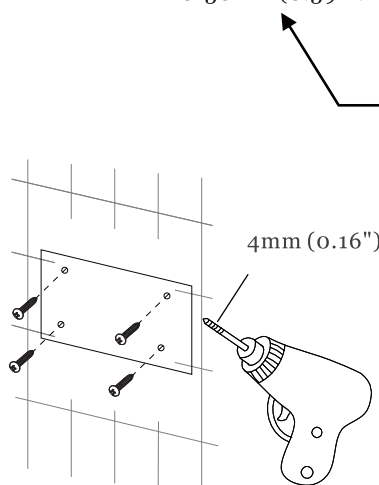
## Example Installation

One hole for spout



Recommended deck thickness:

10-30mm (0.39-1.18")



Four holes for back plate

A ≥ 30mm-40mm

(1.18-1.57")

