

Auto Multi-Function Dispenser (500ml)



HKWANG

An automatic multi-function soap dispensers with our patented and alcohol resistant pumps: liquid, foam and spray. A simple change of the soap pump can convert the unit into a different type of automatic soap dispenser. Moreover, it will play music with every dispense (optional). We design this auto multi-function soap dispenser to be ADA, its thin profile only protrudes 4 inches (10 cm) from the wall. Its compact size and clean look makes it a good fit for toilet seat sanitizer dispenser.



MULTI FUNCTION RANGE

Why HK-SSD?

Specs



hands-free



AC adapter available



500 ml soap bottle



battery life up to 25k uses



foam: one drop 0.7-1.0 ml



liquid: one drop 0.8-1.1 ml



disinfectant spray:
one drop 0.8-1.1 ml

Design



interchangeable pump



no leakage problem



security lock and key



refillable soap bottle



auto-detecting sensor



LED indicator



audio available (optional)

Suitable for...



operating room



hospital



restaurant



shopping mall



postnatal care
center



playground

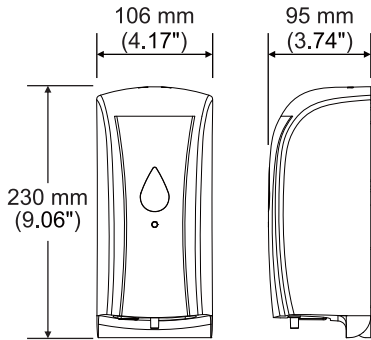


kindergarten



public toilet

Specification

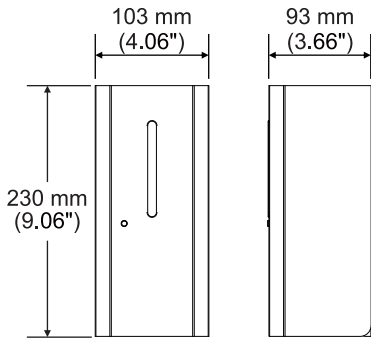


Model Name: HK-SSD11 / 21 / 31

Cover Material: ABS

Capacity: 500 ml

Battery Type: Alkaline AA type x 4 pcs



Model Name: HK-SSD12S / 22S / 32S

Cover Material: Stainless Steel (#304)

Capacity: 500 ml

Battery Type: Alkaline AA type x 4 pcs



Interchangeable soap pump system



Liquid Soap: HK-SSD11 / 12S



Foam Soap: HK-SSD21 / 22S

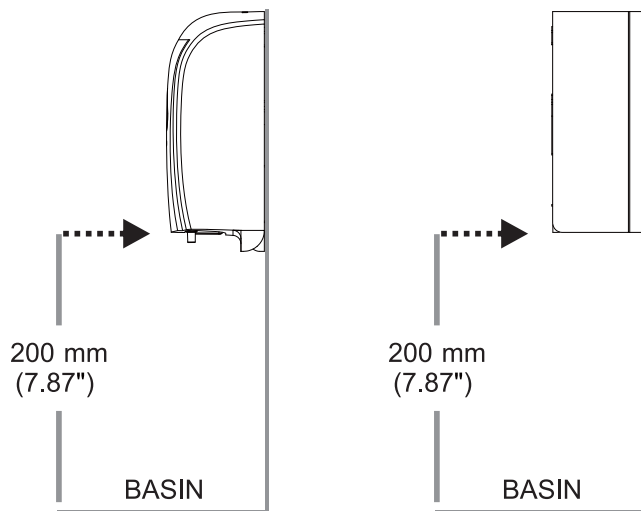


Disinfectant Spray: HK-SSD31 / 32S



Specification

Packaging (carton):	HK-SSD11 / 21 / 31 : 10 dispensers/carton. G.W. 7.8 kg. Meas. 1.32' HK-SSD12S / 22S / 32S : 10 dispensers/carton. G.W. 11.0 kg. Meas. 1.32'
Battery Type:	Alkaline AA (1.5V) x 4 pcs
Battery Life:	Liquid type: 25k drops/cycles Foam type: 25k drops/cycles Disinfectant spray: 16k drops/cycles
Soap Pump Life:	200k cycles
Mechanism Life:	500k cycles
Light Indication:	Blue LED light flash four times for sensing range detection. Flashing blue light: low batteries
Safe Operation:	Power off automatically once casing is opened
Smart Design:	All key parts are independent for easy maintenance. Container assembly and mechanism of dispenser are 100% separation; mechanism is free from damage by soap.
Patented Soap Pump:	Prevent leakage problem Prevent leftover foam soap mess Suitable for liquid soap, liquid alcohol, alcohol gel, foam soap, sanitizer spray
Safety Approvals:	CE RoHS



Recommended Installation Height: 200 mm

