

# Auto Multi-Function Dispenser (1000ml)



An touch free multi-function (foam/liquid/spray) soap dispenser which has a unique and classic look. We have the HK-MSD PLUS series equipped with a larger 1,000 ml soap bottle. With a bigger soap bottle, the labor and time for refilling can be reduced. There are patented three types of soap pumps, including liquid soap, foam soap, and sanitizer spray type for selection.



MULTIFUNCTION RANGE

## Why HK-MSD PLUS?

### Specs



hands-free



AC adapter available



1000 ml soap bottle



battery life up to 25k uses



foam: one drop 0.7-1.0 ml



liquid: one drop 0.8-1.1 ml



disinfectant spray:  
one drop 0.8-1.1 ml

### Design



interchangeable pump



no leakage problem



security lock and key



refillable soap bottle



auto-detecting sensor



LED indicator



quiet operation

### Suitable for...



operating room



hospital



restaurant



shopping mall



postnatal care  
center



playground

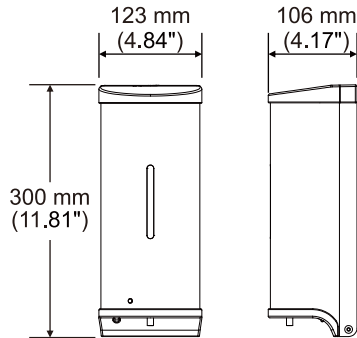


kindergarten



public toilet

# Specification

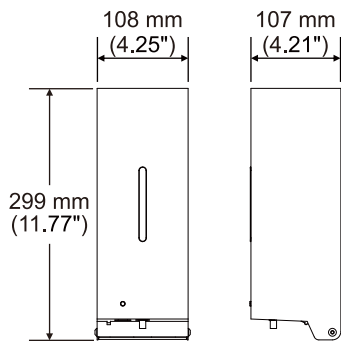


**Model Name:** HK-MSD11 / 21 / 31 PLUS

**Cover Material:** Stainless Steel (#304) & ABS

**Capacity:** 1000 ml

**Battery Type:** Alkaline AA type x 4 pcs



**Model Name:** HK-MSD12S / 22S / 32S PLUS

**Cover Material:** Stainless Steel (#304)

**Capacity:** 1000 ml

**Battery Type:** Alkaline AA type x 4 pcs



Interchangeable soap pump system



Liquid Soap: HK-MSD11 / 12S PLUS



Foam Soap: HK-MSD21 / 22S PLUS

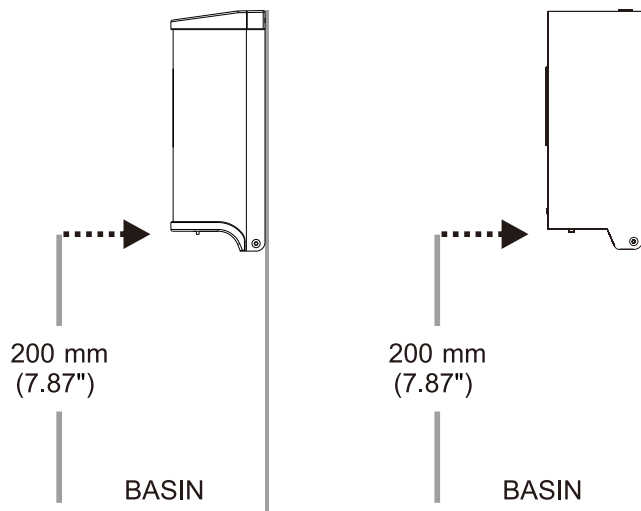


Disinfectant Spray: HK-MSD31 / 32S PLUS



# Specification

Packaging (carton):	HK-MSD11 / 21 / 31 PLUS : 12 dispensers/carton. G.W. 16.4 kg. Meas. 2.8' HK-MSD12S / 22S / 32S PLUS : 12 dispensers/carton. G.W. 18.9 kg. Meas. 2.8'
Battery Type:	Alkaline AA (1.5V) x 4 pcs
Battery Life:	Liquid type: 25k drops/cycles Foam type: 25k drops/cycles Disinfectant spray: 16k drops/cycles
Soap Pump Life:	200k cycles
Mechanism Life:	500k cycles
Light Indication:	Blue LED light flash four times for sensing range detection. Flashing blue light: low batteries
Safe Operation:	Power off automatically once casing is opened
Smart Design:	All key parts are independent for easy maintenance. Container assembly and mechanism of dispenser are 100% separation; mechanism is free from damage by soap.
Patented Soap Pump:	Prevent leakage problem Prevent leftover foam soap mess Suitable for liquid soap, liquid alcohol, alcohol gel, foam soap, sanitizer spray
Safety Approvals:	<b>CE RoHS</b>



Recommended Installation Height: 200 mm

