

Auto Behind Mirror Bulk Multi-Function Soap/ Sanitizer Dispenser 1000ML



HK KWANG

We developed an automatic multi-function (foam/ liquid/ spray) soap dispensers and adopted it to be ideal for behind mirror installation. This complies with the trend of the commercial restroom design and it is still convenient to use with proper installation.



MULTI FUNCTION RANGE

Why HK-MSD PLUS-BM?



hands-free



AC adapter available



1000 ml soap bottle



battery life 145k uses



foam: one drop 0.7-1.0 ml



liquid: one drop 0.8-1.1 ml



interchangeable pump



no leakage problem



auto-detecting sensor



auto-detecting sensor



LED indicator



quiet operation



operating room



hospital



restaurant



shopping mall



postnatal care
center



playground

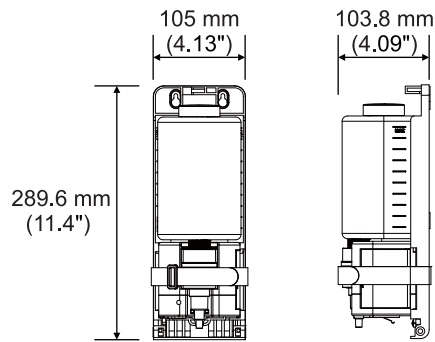


kindergarten



public toilet

Specification



Packaging (carton):	HK-MSD1 / 2 PLUS-BM : 12 dispensers/carton. G.W. 8.5 kg. Meas. 2.9'
AC Type:	100-240V
Battery Type:	Alkaline AA (1.5V) x 4 pcs
Battery Life:	Liquid type: 25k drops/cycles Foam type: 25k drops/cycles Disinfectant spray: 16k drops/cycles
Soap Pump Life:	200k cycles
Mechanism Life:	500k cycles
Light Indication:	Flashing blue light: low batteries
Smart Design:	All key parts are independent for easy maintenance. Container assembly and mechanism of dispenser are 100% separation; mechanism is free from damage by soap.
Patented Soap Pump:	Prevent leakage problem Prevent leftover foam soap mess Suitable for liquid soap, liquid alcohol, alcohol gel, foam soap, sanitizer spray
Safety Approvals:	CE



