



HK-JA(SR) Hand Dryer

This is the HK-JA high speed hand dryer in a semi-recessed stainless steel unit. The unit protrudes no further than 4" from a wall to maintain ADA compliance. It is suitable for limited space and users who desire a complete stainless appearance. HK-JA is very powerful and durable. Its air blows strong enough to dry hands in 10 seconds.



HIGH SPEED RANGE

Why HK-JA(SR)?

Specs



air speed 75-100 m/s



standby power 0.3-0.4W



1.6kW with strong power



Ip21

Design



recessed design



heater on/off



sound & power adjustment

In Use



less than 10 seconds drying time



save 80% of energy cost



three safety protections



60s timing protection



easy to clean

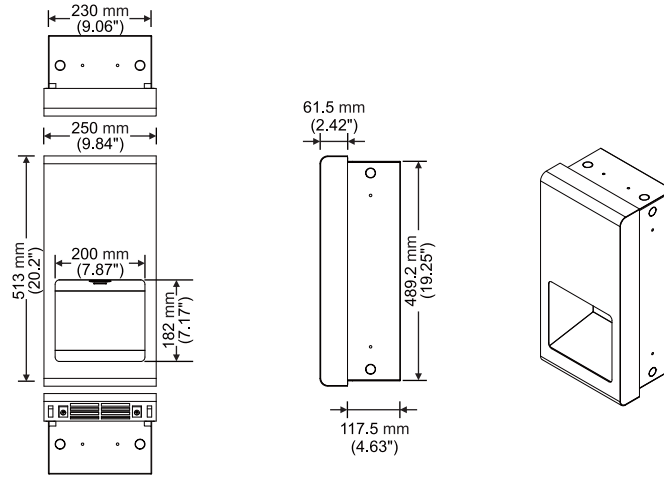


easy maintenance



user friendly

Specification



Cover Finish:	Satin
Cover Material:	Stainless Steel (#304)
Packaging (carton):	1 dryer/carton. G.W. 13.2 kg. Meas. 1.5'
Drying Time:	Less than 10 seconds
Operating Voltage:	110-120 Vac, 50/60 Hz, 12.2-13.4 A, 1.34-1.6 kW 220-240 Vac, 50/60 Hz, 6.1-6.7 A, 1.34-1.6 kW
Motor Wattage:	455-700 W, Adjustable
Standby Power:	0.3-0.4 W
Air Speed:	75-100 m/s, Adjustable
Sound Level:	MIN 70.0 dB to 73.7 dB MAX @ 1m
Sensing Range:	150 ± 20 mm, Adjustable
Drip Proof:	IP21
Timing Protection:	60 seconds auto shut off
Motor Thermal Protection:	Auto resetting thermostat turns unit off, at 95 °C (203 °F) - for 110-120V Auto resetting thermostat turns unit off, at 130 °C (266 °F) - for 220-240V
Heater Thermal Protection:	Auto resetting thermostat turns unit off at 85°C (185°F) Thermal fuse cuts unit off at 142°C (185°F)

Safety Approvals:

