



# HK-JA-LdB

HK-JA-LdB is a quiet version of our HK-JA series. Its drying noise of HK-JA-LdB high speed hand dryer (68.2dB) is 7% lower than the standard version (73.7dB) and 16% lower than other jet dryers (81dB) in the market, without losing the drying efficiency. An arc LED symbolized the pleasant drying experience of using a low noise level, yet fast drying high speed hand dryer. A carbon filter assembly is also available for dusty installation environments. Enamel coated steel and stainless steel (satin/bright) are available for HK-JA hand dryer covers.



HIGH SPEED RANGE

## Why HK-JA-LdB

### Specs



air speed: 65-95 m/s



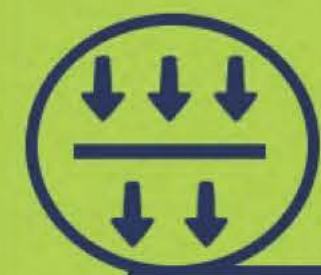
1.4-1.8W (110-120V)  
0.3-0.4W (220-240V)



1.4kW with strong power



IP31/IP33(Optional)



carbon filter assembly

### Design



enamel coating create a superior durability



sound & power adjustment



recycled and reused

### In Use



less than 10 seconds drying time



save 80% of energy cost



three safety protections



60s timing protection

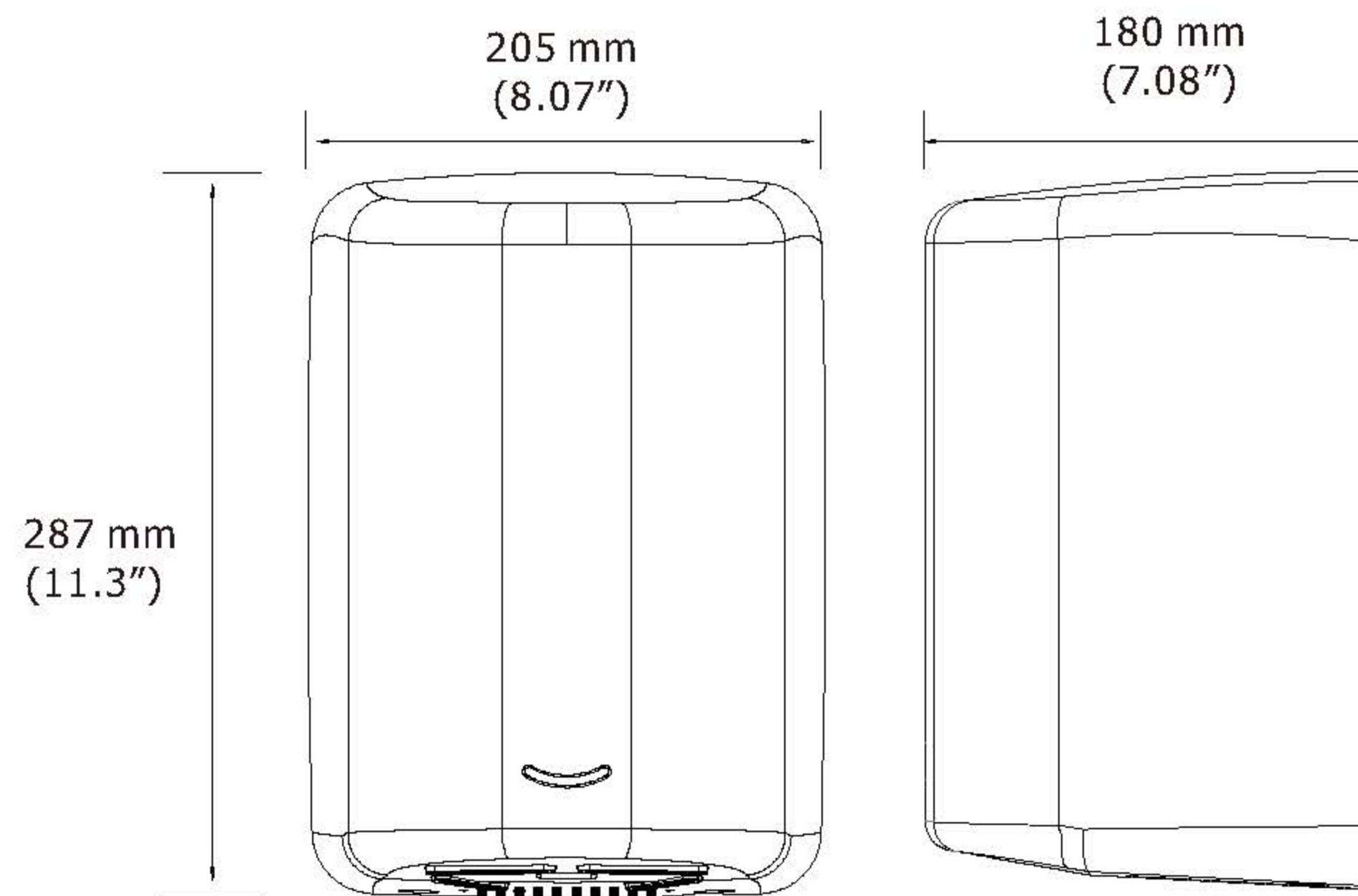


easy to clean



easy maintenance

# Specification



|                           |                                                                                                                                                         |
|---------------------------|---------------------------------------------------------------------------------------------------------------------------------------------------------|
| Cover Finish              | HK-JA-LdB01 - Steel; White porcelain enameled coating.<br>HK-JA-LdB04 - Stainless Steel; Bright finish.<br>HK-JA-LdB05 - Stainless Steel; Satin finish. |
| Packaging (carton)        | 2 dryers/carton. Gross weight 12.2kg. Measurement 2.0'                                                                                                  |
| Drying Time               | Less than 10 seconds                                                                                                                                    |
| Operating Voltage         | 110-120Vac, 50/60Hz, 10.8-11.7A, 1.19-1.4kW<br>220-240Vac, 50/60Hz, 5.4-5.8A, 1.19-1.4kW                                                                |
| Motor Wattage             | 350-700W, Adjustable                                                                                                                                    |
| Standby Power             | 1.4-1.8W (110-120V)<br>0.3-0.4W (220-240V)                                                                                                              |
| Air Speed                 | 65-95 m/s, Adjustable                                                                                                                                   |
| Sound Level               | MIN 62.8 dB to 68.2 dB MAX @ 1m                                                                                                                         |
| Sensing Range             | 170 mm ± 20 mm, Adjustable                                                                                                                              |
| Drip Proof                | IP31/IP33(optional)                                                                                                                                     |
| Timing Protection         | 60 seconds auto shut off                                                                                                                                |
| Motor Thermal Protection  | Auto resetting thermostat turns unit off, 120V at 135°C (275°F)                                                                                         |
| Heater Thermal Protection | Auto resetting thermostat turns unit off at 85°C (185°F)<br>Thermal fuse cuts unit off at 142°C (185°F)                                                 |

Safety Approvals



WEEE RoHS

