

Automatic Top Filled Deck-Mounted Soap Dispenser



HK KWANG

HK-CSDT is the world first top filled deck mounted auto liquid / foam soap dispenser with an overfilled protection mechanism. We use the highest quality stainless steel-316 for this model. The maintenance staff can fill the soap from the top of the dispenser spout with a special designed anti-theft key.

The smart sensor inside the soap tank will make the LED ring flash with a beeping sound to prevent an overfilled mess.

The LED can also indicates different status such as low soap level. CSDT is the smart soap dispenser which saves your time and money on the maintenance!



DECK-MOUNTED RANGE

Why HK-CSDT?

Specs



hands-free



AC power



1,500 ml soap bottle



foam: one drop 0.6-0.8 ml



liquid: one drop 1.0-1.2 ml

Design



easy maintenance



switchable soap type



refillable soap bottle



auto-detecting sensor



LED indicator



quiet operation

Suitable for...



airport



train station



restaurant



shopping mall



office



hotel

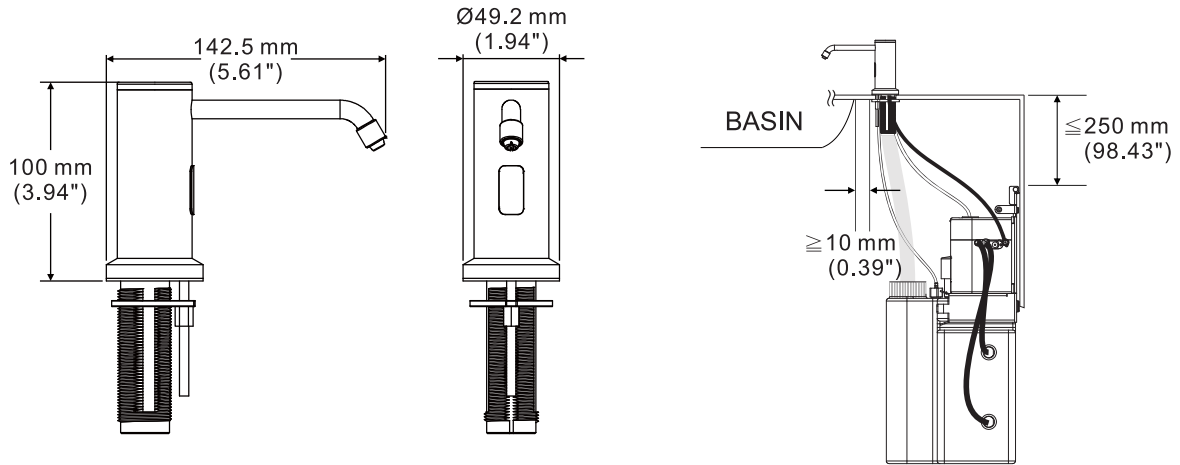


kindergarten



postnatal care center

Specification



Packaging (carton): HK-CSDT11 / 21: 6 dispensers/carton. G.W. 10.0 kg. Meas. 2.45'

Soap Pump Life: 100k cycles

Mechanism Life: 500k cycles

Viscosity Range: 1-3000 Cp(Mpas) (Liquid)
Foaming Soap (Foam)

Capacity: 1500 ml

Spout material: Bright Stainless steel (#316)

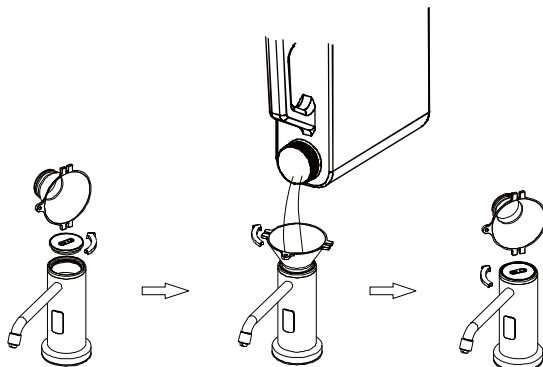
Power Source: AC only

Light Indication: A blinking green light means the soap tank is empty.
A solid green light means the wrong kind of soap has been used.

Smart Design: When the soap tank is filled to 85%, the low soap level warning will stop and the buzzer will sound intermittently to signal sufficient soap level. The buzzing will last for 20 seconds during which time the sensor will be turned off to prevent unwanted activation.

Safety Approvals **CE**

Smart Key



Liquid Soap: HK-CSDT11



Foam Soap: HK-CSDT21

