

Automatic Deck-Mounted Soap Dispenser



A new sensor technique is adopted to prevent any interference at the sink. Its dispensing volume is stable and operates very quietly. It is very easy to refill soap and replace batteries for our deck mounted soap dispenser, and it can dispense either liquid soap, foam soap or sanitizer spray with a simple change of the pump.



DECK-MOUNTED RANGE

Why HK-CSD?

Specs



hands-free



AC power



1,500 or 3,000 ml soap bottle



foam: one drop 0.6-0.8 ml



liquid: one drop 1.0-1.2 ml



disinfectant spray:
one drop 1.0-1.2 ml

Design



easy maintenance



switchable soap type



refillable soap bottle



stable sensing distance



LED indicator



quiet operation

Suitable for...



airport



train station



restaurant



shopping mall



office



hotel

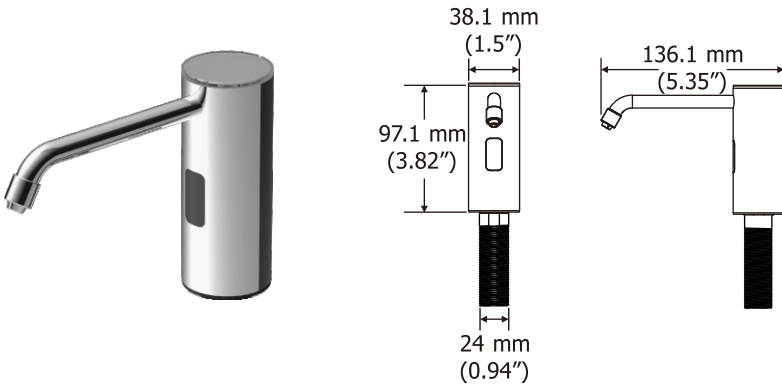


kindergarten

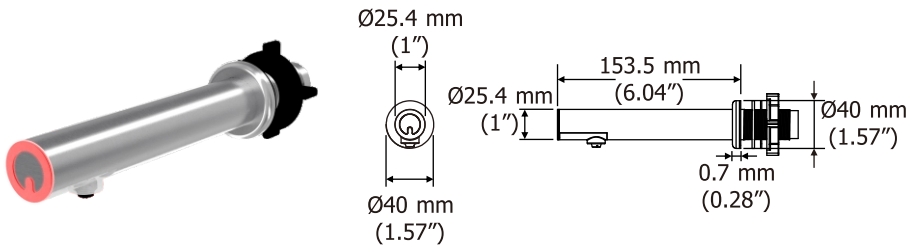


postnatal care
center

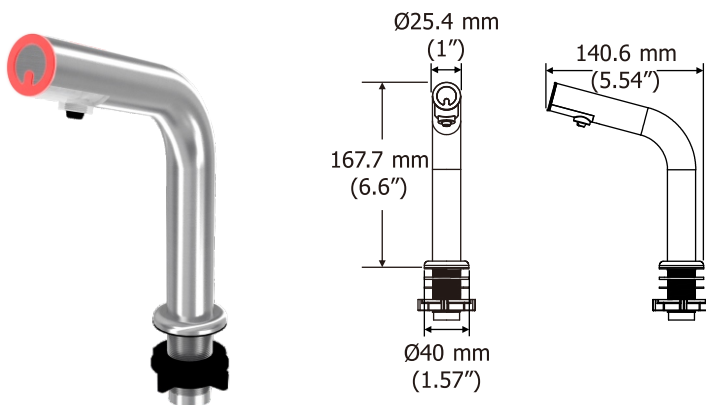
Specification



Model Name: HK-CSD13/ 23/ 33
Spout Material: S/S#304
Spout Finish: Satin or Bright
Power Source: AC



Model Name: HK-CSD14R/ 24R/ 34R
Spout Material: S/S#304
Spout Finish: Satin or Bright
Power Source: AC



Model Name: HK-CSD15R/ 25R/ 35R
Spout Material: S/S#304
Spout Finish: Satin or Bright
Power Source: AC



Specification

Packaging (carton): HK-CSD13/ 23/ 33: 6 dispensers/carton. G.W. 8.8kg. Meas. 2.3'
HK-CSD14R/ 24R/ 34R: 6 dispensers/carton. G.W. 9.2kg. Meas. 2.3'
HK-CSD15R/ 25R/ 35R: 6 dispensers/carton. G.W. 10.0kg. Meas. 2.3'

Soap Pump Life: 20k cycles

Mechanism Life: 500k cycles

Viscosity Range: 1-3000 Cp(Mpas)

Light Indication: Solid green light: wrong type of soap
Flashing green light: empty soap bottle

Smart Design: All key parts are independent for easy maintenance.
Container assembly and mechanism of dispenser are 100% separation; mechanism is free from damage by soap.

Safety Approvals: **CE** **RoHS** **LVD** **EMC**

