



# HK-2200SA(R)

A recessed stainless steel unit with a built-in HK-2200 conventional hand dryer, this ADA compliant unit protrudes less than 4" from the wall. HK-2200SA(R) hand dryer is suitable for construction projects, limited space and user who desire a complete stainless appearance. This recessed conventional ADA hand dryer also provides warm air giving the warmth appreciated in cold winters.



CONVENTIONAL RANGE

## Why HK-2200SA(R)?

### Specs



heater assembly 2100W



automatic



2.2 kW



IP21

### Design



sensing range adjustment



anti-disturbance



blue action light



User friendly

### In Use



30-35 seconds drying time



quiet operation



three safety protections



60s timing protection

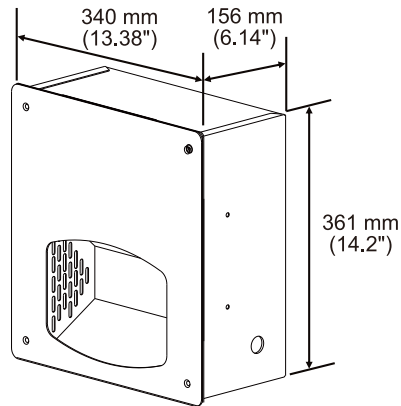


easy to clean



easy maintenance

# Specification



Cover Finish (material)	Satin (Stainless Steel#304)
Packaging (carton)	2 dryers/carton. Gross weight 21.4 kg. Measurement 2.2'
Drying Time	Less than 30-35 seconds
Operating Voltage	110V-120 Vac, 50/60 Hz, 16.8-18.3 A, 1.84-2.2 kW 220V-240 Vac, 50/60 Hz, 8.4-9.2 A, 1.84-2.2 kW
Motor Wattage	100 W
Standby Power	1.5 W
Air Speed	14.5 m/s
Sound Level	63 ± 3 dB MAX @ 1m
Sensing Range	180 ± 20 mm, Adjustable
Drip Proof	IP21
Timing Protection	60 seconds auto shut off
Motor Thermal Protection	Auto resetting thermostat turns unit off at 105 °C (221 °F)
Heater Thermal Protection	Auto resetting thermostat turns unit off at 87 °C (188 °F) Thermal fuse cuts unit off at 142 °C (288 °F)

Safety Approvals



**WEEE RoHS**

