

# EcoTap

## Deck-Mounted Wash Station



### Soap Dispenser

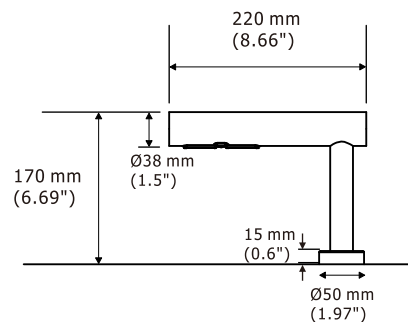
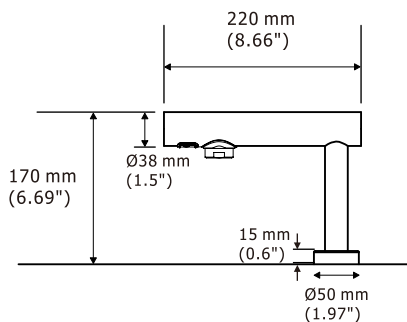
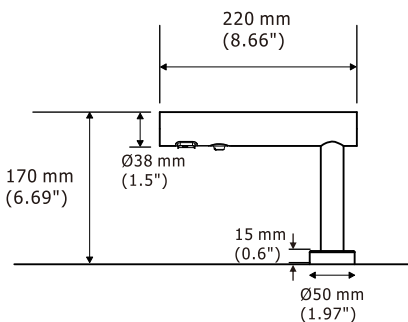
- Hands free
- Foam and liquid available
- High quality sensor
- Long life cycle
- Stainless steel #304

### Faucet

- Hands free
- Stainless steel #304
- Auto detecting sensing range

### Hand Dryer

- Hands free
- Intelligent temperature control technology
- Energy-saving
- IP35
- Carbon filter assembly



## Soap Dispenser

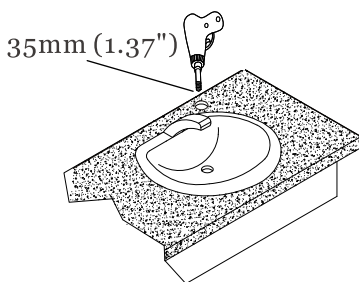
### Technical Specification

Material	Stainless Steel #304
Power Source	AC (6V)
Standby Power	0.14W
Sensing Range	120 mm $\pm$ 20 mm auto detecting, adjustable
Soap Volume	1-1.2 ml (liquid), 0.6-0.8 ml (foam), 1-1.2 ml (Spray)
Soap Pump Life Cycle	100k
Mechanism Life Cycle	500k
Soap Bottle	1,500 ml
Drip Proof	IP35
Safety Approval	CE
Packaging	6 dispensers/carton. G.W. 14.0kg. Meas. 4.6'

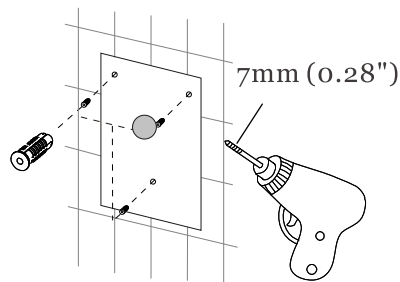
### Light Indication

Standby	Solid green light
Operation	From green light to red light
Wrong Type of Soap	Flashing green and red light
Empty Soap Bottle	Flashing green light

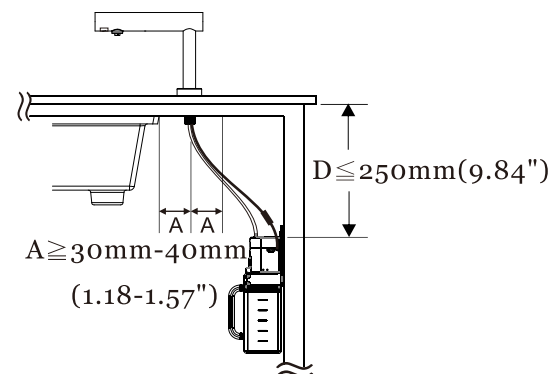
### Installation



One hole for spout



Three holes for back plate



Recommended deck thickness:  
10-30mm (0.39-1.18")



## Faucet

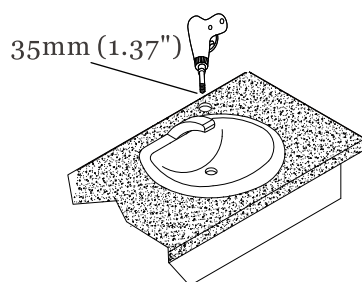
### Technical Specification

Material	Stainless Steel #304
Power Source	AC (6V)
Standby Power	Less than 0.1W
Sensing Range	120 mm $\pm$ 20 mm auto detecting, adjustable
Applicable Water Temperature	4-60 °C
Operating Water Pressure	7~87 PSI
Delay Time	0.5-1 second
Timing Protection	One minute auto shut of f
Flowing Volume	Less than 8.3 l/min
Drip Proof	IP35
Safety Approval	CE
Packaging	10 faucets/carton. G.W. 13.0kg. Meas. 2.1'

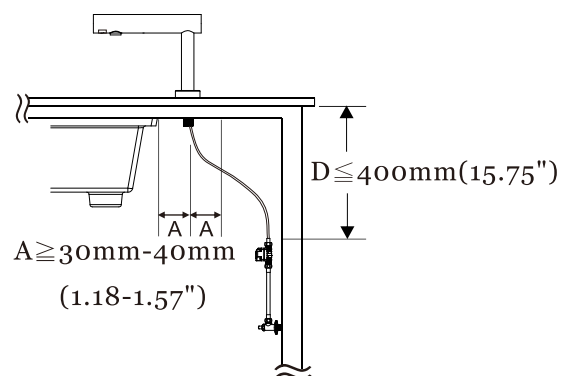
### Light Indication

Standby	Solid blue light
Operation	From blue light to red light

### Installation



One hole for spout



Recommended deck thickness:  
10-30mm (0.39-1.18")

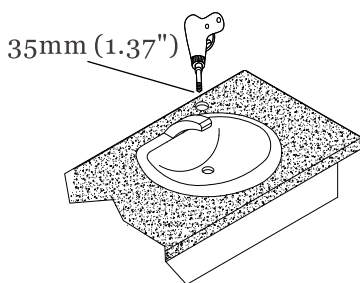


## Hand Dryer

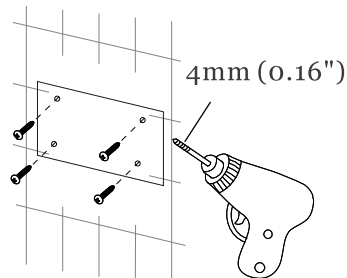
### Technical Specification

Material	Stainless Steel #304
Power Source	110V-120Vac, 50/60 Hz, 0.84-1.0kW 220V-240Vac, 50/60 Hz, 0.84-1.0kW
Standby Power	0.3-0.4W
Sensing Range	130 mm ± 20 mm auto detecting, adjustable
Motor Type	500 W, 22,000-29,000 R.P.M.
Warm Air Speed Output	84-101 m/s [187.9-225.9 mi/h]
Dryer Shall Deliver	54 m <sup>3</sup> /h, (32 CFM)
Sound Level	MIN 58.8 dB to 62.9 dB MAX @ 1m
Drying Time	Less than 10-15 seconds
Timing Protection	60 seconds auto shut off
Drip proof	IP35
Isolation	Class 1
Safety Approval	UL, CE, GS, CB, EMC, LVD, WEEE, ROHS
Packaging	1 dryer/carton. G.W. 8.1kg. Meas. 1.7'

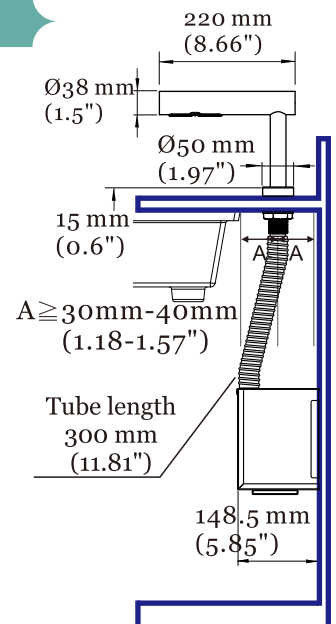
### Installation



One hole for spout



Four holes for back plate



# EcoTap Deck-Mounted Wash Station

## Recommended distance between units

