



# EcoMo(Square) Hand Dryer

An ergonomic, high speed, wheelchair friendly hand dryer. In a comfortable natural position, users can effectively dry their hands without water splash-back. It is also a great dryer for high traffic locations with its absorbent, ceramic pad that prevents water overflow. The super HEPA filter also eliminates over 99% of any present bacteria.



HIGH SPEED RANGE

## Why EcoMo?

### Specs



carbon dioxide emission  
3.5g only



air speed 75-95 m/s



standby power 0.3-0.4W



1.6kW only



IP21 / IP24 (optional)

### Design



HEPA filter + carbon  
filter + antibacterial filter



absorbent, ceramic pad



large drying area



heater on / off



sound & power  
adjustment



recycled and reused

### In Use



10-15 seconds  
drying time



user friendly



three safety protections



60s timing protection

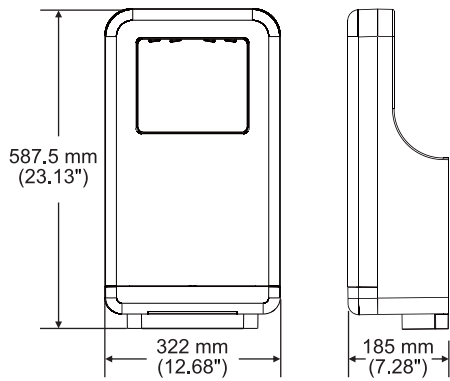


easy to clean



easy maintenance

# Specification

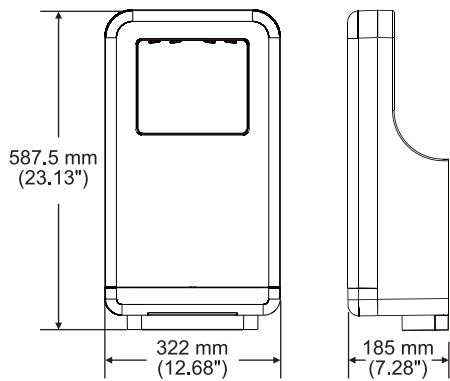


**Model Name:** EcoMo11

**Cover Finish:** White

**Cover Material:** Plastic

**Operation:** Automatic

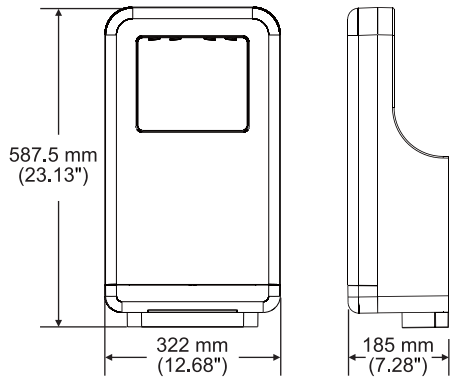


**Model Name:** EcoMo12

**Cover Finish:** Silver

**Cover Material:** Plastic

**Operation:** Automatic

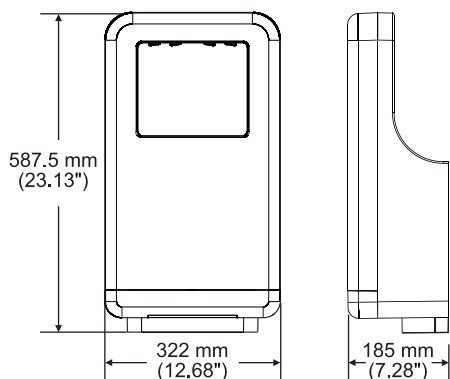


**Model Name:** EcoMo13

**Cover Finish:** White and Gray

**Cover Material:** Plastic

**Operation:** Automatic



**Model Name:** EcoMo14

**Cover Finish:** Black

**Cover Material:** Plastic

**Operation:** Automatic



# Specification

Packaging (carton):	1 dryer/carton. G.W. 11.4 kg. Meas. 2.6'
Drying Time:	Less than 10-15 seconds
Operating Voltage:	110-120 Vac, 50/60 Hz, 12.2-13.4 A, 1.34-1.6 kW 220-240 Vac, 50/60 Hz, 6.1-6.7 A, 1.34-1.6 kW
Motor Wattage:	455-700 W, Adjustable
Standby Power:	0.3-0.4 W
Air Speed:	75-95 m/s, Adjustable
Sound Level:	MIN 69.6 dB to 72.8 dB MAX @ 1m
Sensing Range:	150 ± 20 mm, Adjustable
Drip Proof:	IP21 / IP24 (optional)
Timing Protection:	60 seconds auto shut off
Motor Thermal Protection:	Auto resetting thermostat turns unit off, at 95 °C (203 °F) - for 110-120V Auto resetting thermostat turns unit off, at 130 °C (266 °F) - for 220-240V
Heater Thermal Protection:	Auto resetting thermostat turns unit off at 85 °C (185 °F) Thermal fuse cuts unit off at 142 °C (185 °F)

## Safety Approvals:



ADA-COMPLIANT

